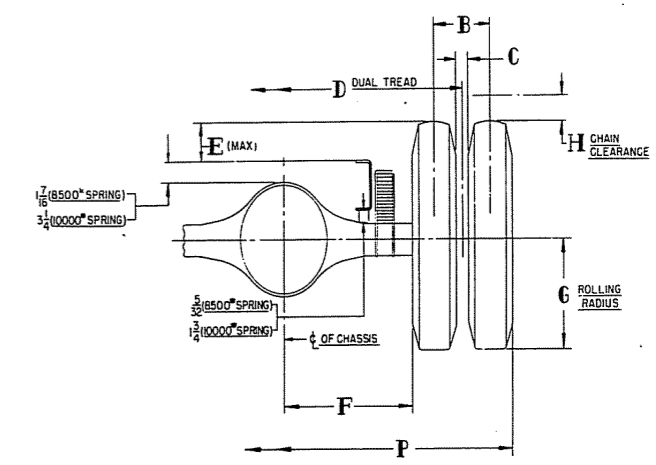


WARNING TO BODY BUILDERS

STEERING WHEEL LOCATION IS FIXED FOR STANDARD DODGE CAB SEAT, PEDALS, FLOOR AND WINDSHIELD POSITIONS, AND IS ADJUSTABLE ONLY TO A LIMITED DEGREE FOR NORMAL COMMERCIAL VARIATION OF THESE POSITIONS.

IF NECESSARY ADJUSTMENTS SHOULD BE MADE AT FRAME FASTENING AND AT INSTRUMENT PANEL BRACKET TO AVOID STRAIN ON STEERING GEAR, COLUMN, OR MOUNTINGS.

TIRE SIZE	RIM SIZE	A	B	C	D	E	F	G	H	P
9.00/20	10P	20X7	69 1/2							
10.00/20	12P	20X7	69 1/2							
10.00/20	12P	20X8	68 3/4							
11.00/20	12P	20X8	68 3/4							
10.00/20	12P	20X7	11 1/2	1.31	72 7/8	9.48	25.16	19.58	4 1/2	95.43
10.00/20	12P	20X8	13	2.38	72 7/8	9.48	24.63	19.58	4 1/2	96.50
11.00/20	12P	20X8	13	1.50	72 7/8	10.13	24.18	20.10	4 1/2	97.38



BODY BUILDERS LAYOUT
Y, YA-130", 142" W.B. (TRACTOR)